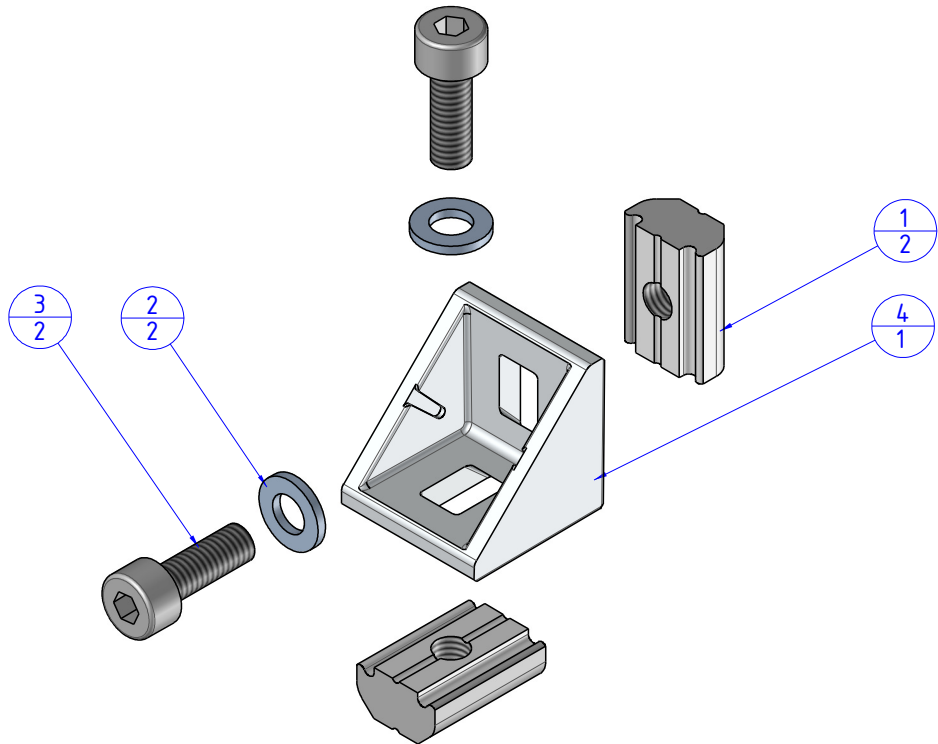
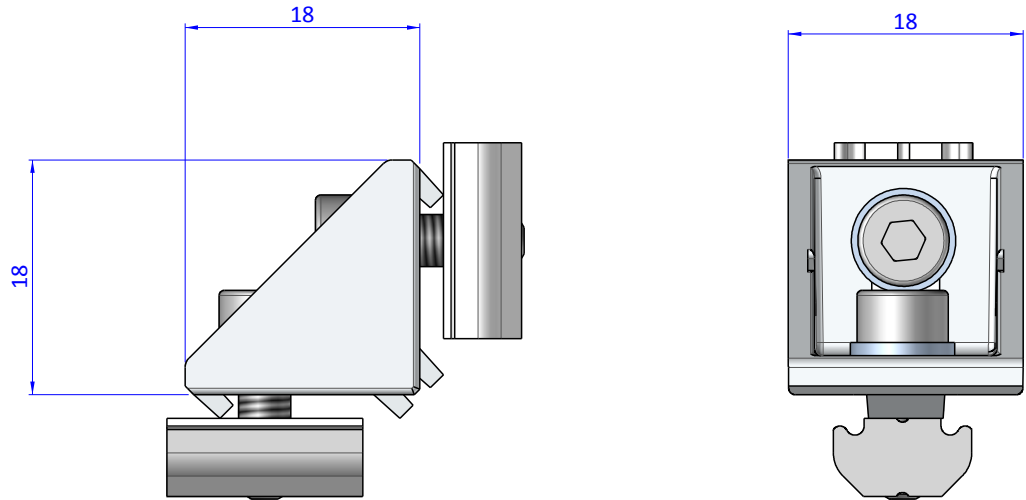


THE PROPERTY OF THE DRAWING IS ESTABLISHED BY LAW. IT IS FORBIDDEN TO PRODUCE OR SHOW IT TO THIRD PARTY, WITHOUT A WRITTEN AGREEMENT.

Object Number	Name	QTY
1	CA.GWP.4U	2
2	R.4	2
3	V.TCE4x12	2
4	WIV.X.25.M	1



Format A3

UNI 936-76

		DESIGNED FROM	REVIEW
		FP SERVICES	A
		DATE	WEIGHT
		08/07/2016	0,021kg
GENERAL TOLERANCE	DESCRIPTION	CODE	
UNI - ISO 2768	CA.WIV.X.25.M	CA.WIV.X.25.M	
CLASSE f			